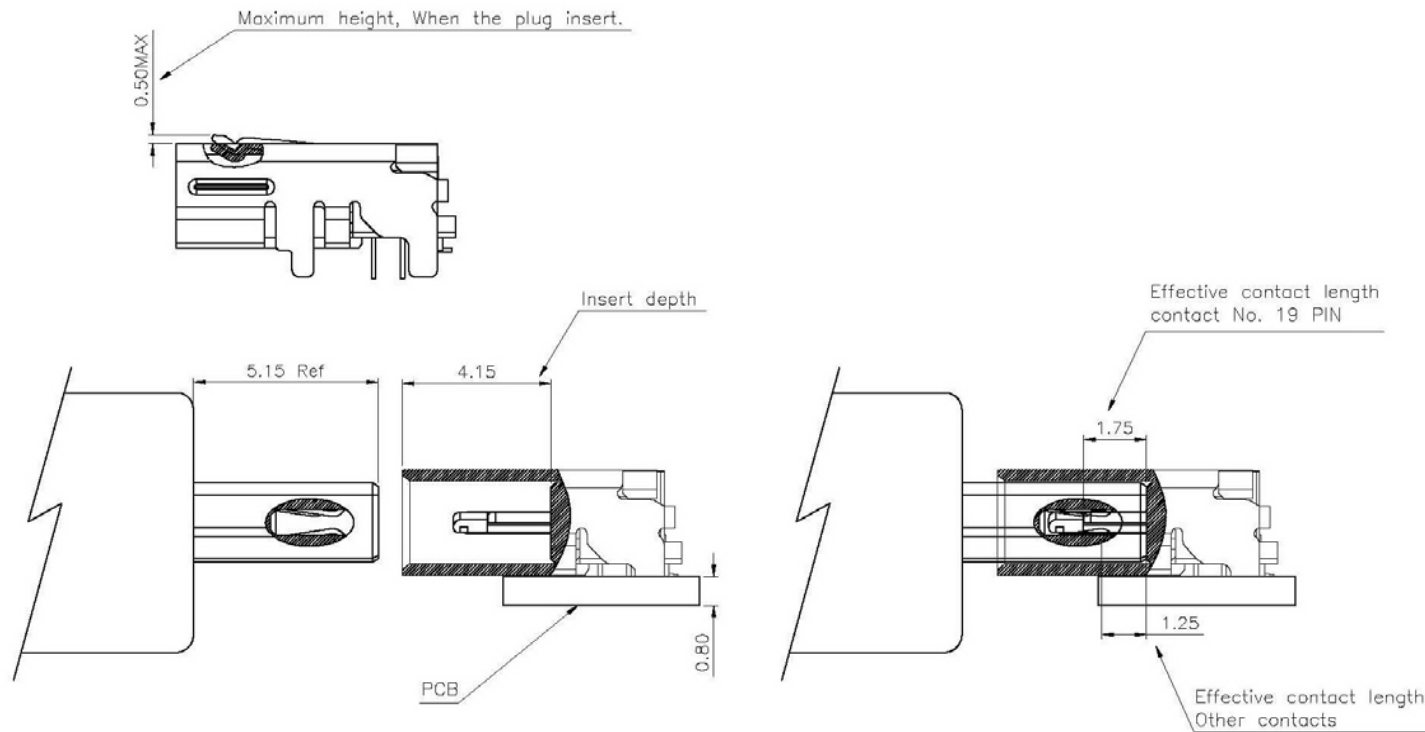


10	COPPER ALLOY	SMT CONTACT	⑤
9	COPPER ALLOY	DIP CONTACT	④
1	HIGH THERMOPLASTIC UL94V-0	BOTTOM INSULATOR	③
1	HIGH THERMOPLASTIC UL94V-0	TOP INSULATOR	②
1	STAINLESS STEEL	SHELL	①
QTY'S	SPECIFICATION	PART	ITEM

凱帛企業有限公司 KABO ENTERPRISE CO.,LTD.		
Name		
Micro HDMI DIP R/A 19PIN TYPE		
Drawing No.		
Micro HDMI-2001-1993N		
DR	CHK	APPD
General Tolerances :	Unit :	Scale :
x.xx± x.x±	mm	ROM

THIS DRAWING CONTAINS INFORMATION THAT IS PROPRIETARY TO KABO ENTERPRISE LTD. AND SHOULD NOT BE USED WITHOUT WRITTEN PERMISSION..



凱帛企業有限公司 KABO ENTERPRISE CO.,LTD.		
Name		
Micro HDMI DIP R/A 19PIN TYPE		
Drawing No.		
Micro HDMI-2001-1993N		
DR	CHK	APPD
General Tolerances :	Unit :	Scale :
x.xx± x.x±	mm	ROM

THIS DRAWING CONTAINS INFORMATION THAT IS PROPRIETARY TO KABO ENTERPRISE LTD. AND SHOULD NOT BE USED WITHOUT WRITTEN PERMISSION..